

Townsend IN 33-430 Injector

Accurately injects pork bellies. Lowest standard deviation in the industry.

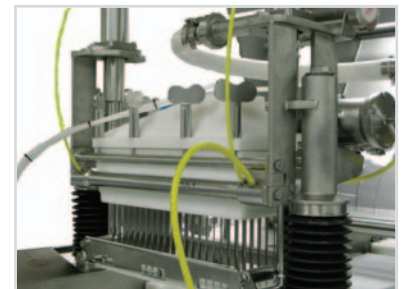
- > **REDUCES BRINE WASTE** by 10% compared to the 1450.
- > **MAINTENANCE COST REDUCED** by 25% compared to the 1450.
- > **PROGRAMMABLE PRODUCT RECIPES** provide accurate adjustments and easy recipe changeover.
- > **MANUFACTURED USING FDA-APPROVED, non-corroding materials.**
- > **LOOSE PARTS REDUCED** 30% compared to previous models.
- > **REMOVABLE CONVEYOR BED** for easy sanitation.
- > **SANITATION ENHANCEMENTS** include a Clean-in-Place (CIP) feature.
- > **UNIFORM NEEDLE PATTERN** for precision injection.
- > **TOTAL BRINE RECOVERY** utilizes an innovative 'bathtub' design and optional combing table.
- > **MAXIMUM BELLY WIDTH** of 17".



An updated touch screen offers a color screen and the ability to store multiple recipes with naming capabilities for easy changeover.



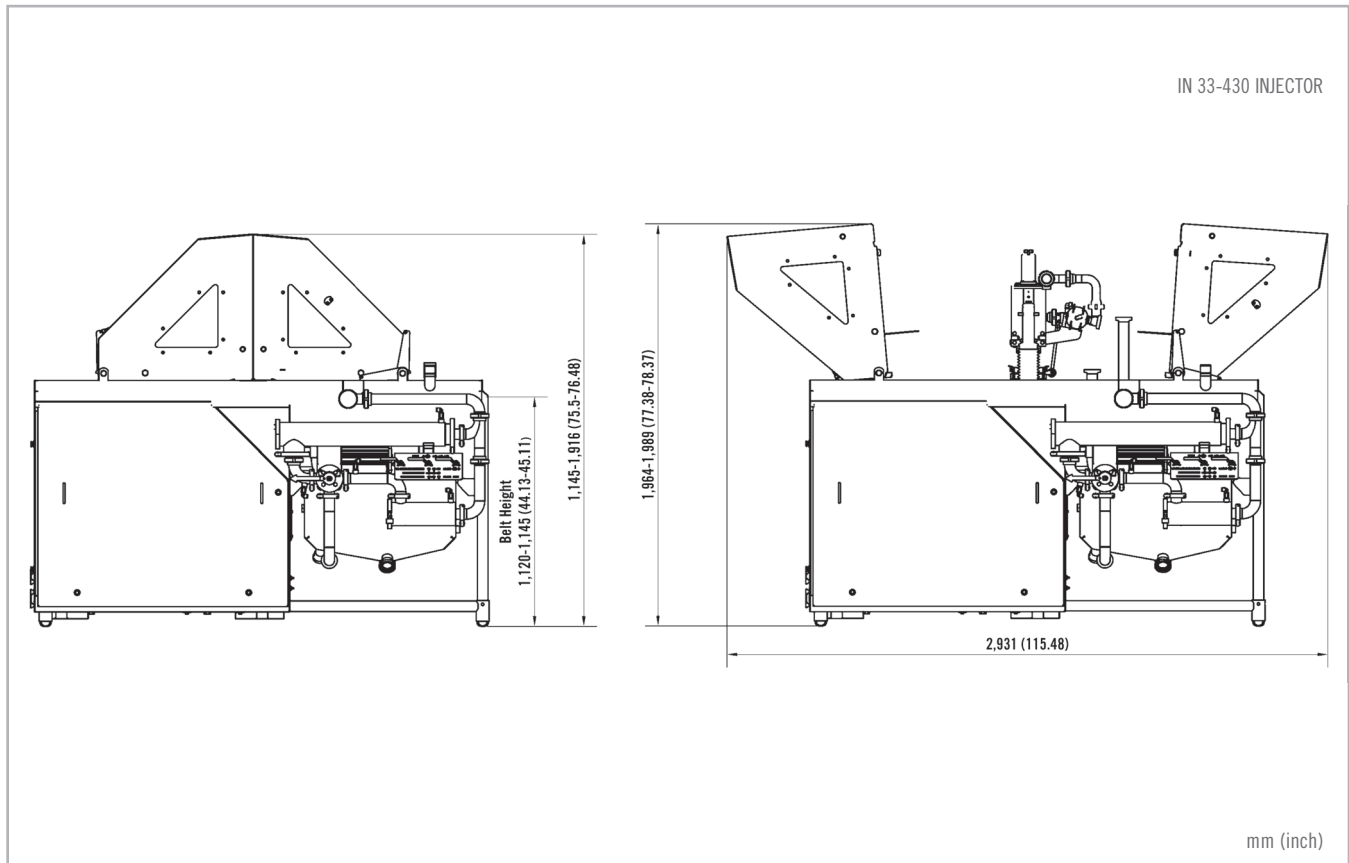
A multiple stage filter system can run an eight-hour shift without a full system clean. Individual filters can be cleaned during operation.



The head includes 205 needles with the ability to inject 15% wider bellies compared to the 1450. Proven single manifold and valve design.

Townsend IN 33-430 Injector

Accurately injects pork bellies.



> SHIPPING WEIGHT

Uncrated: 1,069 kg (2,357 lbs)
Crated: 1,386 kg (3,056 lbs)

> SHIPPING CRATES (2)

Machine

- Length
2,931 mm (115.48 inch)
- Width
1,525 mm (60.1 inch)
- Height
1,145-1,916 mm (75.5-76.48 inch)

Accessories

- Length
2,135 mm (84.2 inch)
- Width
1,400 mm (55.2 inch)
- Height
1,220 mm (48.1 inch)

> ELECTRICAL - ALLEN-BRADLEY

230-575V

> SUPPLY PRESSURE

5.5-7 bar

> AIR CONSUMPTION

85 liters/min.

> NOISE

<85 dB(A)

The IN 33-430 Injector is protected by one or more of the following United States patents: 6,497,176 and 5,733,060. Other U.S. patents pending. Patents granted and pending in principal countries throughout the world.

Specifications and equipment are subject to change without any obligation on the part of the manufacturer.

**Call your Townsend Sales Engineer:
1-800-247-8609**